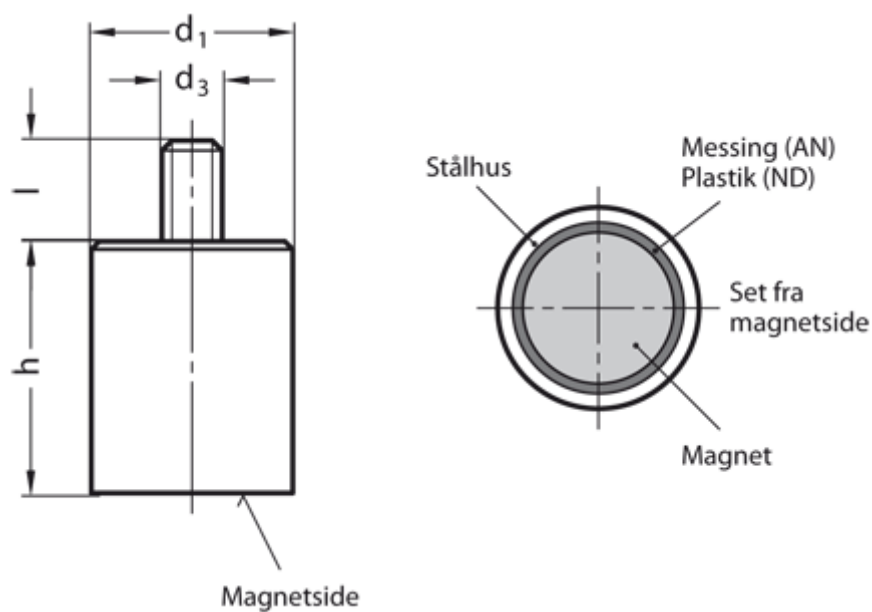


Article number: 201241425

Description: E+G Retaining magnets with threaded stud GN 52.4-AN-25-M6-E
Alu, Nickel, Cobalt - 450° C, 60N

Measures



d_1 = 25

d_3 = M6

h = $35 \pm 0,2$

Holding force N = 60.0

l = 10

Material = AN Alu, nickel, cobalt, 450°C